

Specifications

LEO 18GTplus



PERFORMANCE

Working height, max.	18,30 m
Horizontal outreach with 200 kg	8,50 m
Up and Over Clearance, max.	8,30 m
Basket capacity	200 kg
Movable jib	90°
Turret rotation	355°
To be jacked up on ground slope of	12°/21,0 %
Height and width track adjustment	8/16 cm
Gradeability, max.	19,7°/35,5 %
Slope angle	16,7°/30,0 %
Travel speed	1,8 km/h

MEASUREMENTS

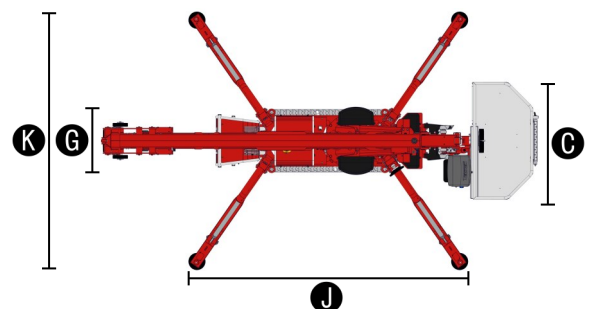
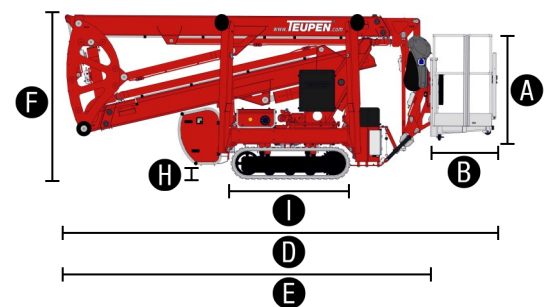
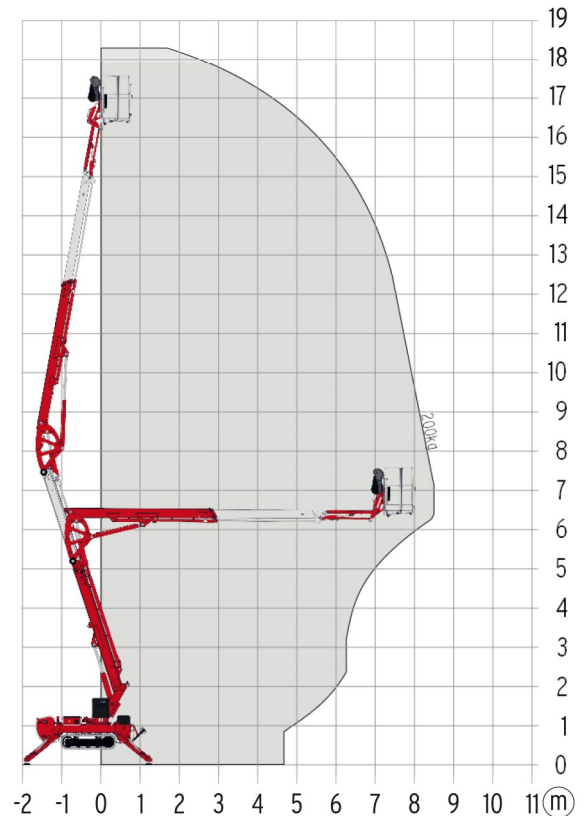
Platform height (A)	1,10 m
Platform length (B)	0,70 m
Platform width (C)	1,42 m
Length, overall (D)	5,20 m
Length without basket (E)	4,50 m
Height, travel position (F)	1,99 m
Width, minimal overall width (G)	0,78 m
Ground clearance, max. (H)	0,25 m
Track (L x W) (I)	145 x 20 cm
Length outrigger footprint, max. (J)	3,31 m
Width outrigger footprint, max. (K)	3,03 m
Outrigger plate Ø	0,18 m

WEIGHT

Total weight	2450 kg
Live load in travelling position	4,90 kN/m ²
Live load in working position	2,59 kN/m ²
Point load per outrigger plate, max.	17,30 kN

POWER

Standard power sources (electric and combustion engine)	1) Electric: 230 V, 12,9 A, 2,2 kW 2) Petrol: Vanguard OHV 16 HP (11,93 kW/16,0 hp)
Optional power sources	1) Diesel: Kubota Z 602 (10,8 kW/14,5 hp) 2) Li-Ion Battery: 48 V
Fuel tank capacity petrol engine	12,0 l
Fuel tank capacity Diesel engine	12,0 l



STANDARDS COMPLIANCE

2006/42/EC-Machinery directive
 (Harmonised standard EN280:2001 + A2:2009); 2004/108/EC (EMC);
 2000/14/EC (Noise emission directive - outdoor)

Features

LEO 18GTplus



CHASSIS

- Powerful track drive for precise maneuvering and terrainability
- White, non-marking rubber tracks with specially arranged profile providing optimum grip
- Mechanically height- and width-adjustable track chassis

STABILISATION

- Fully-hydraulic, automatic levelling system
- Constant outrigger setup monitoring with ground pressure sensing
- Wear resistant, anti-friction PVC outrigger feet

BOOM SYSTEM

- Removable cable remote control
- All functions are available from one control panel
- Electric-proportional controls with intuitive operator guidance
- Robust, lockable control panel cover
- Self-levelling platform with fully-hydraulic levelling system
- Boom rotation via high-performance slew ring, worm gear and hydraulic motor
- Detachable two-person basket with eyelets for safety harnesses
- Emergency controls and emergency lowering system via hand pump
- 355° turntable rotation
- Movable jib

POWER

- 230 V electric motor (EU)
- Vanguard OHP 16 HP petrol engine (11,93 kW/16 hp)
- Start-Stop switch of combustion engine in the basket

PRODUCTIVITY, SAFETY, QUALITY

- Sturdy base frame with full length forklift pockets
- 230 V (EU) power outlet in the basket
- High-quality paint in RAL 3020 (red)
- Drive operation without basket available
- Cables and hoses are safely routed through the boom structure
- Biodegradable hydraulic oil
- Lock valves - hydraulic return valves directly on all hydraulic cylinders
- Relief valves protecting the hydraulic system from too high pressures
- Protective covers for oil-tank, emergency controls and connecting cables and hoses
- Protective covers for electric housing and ground control panel
- Hour meter
- Fuzzy IV control technology

OPTIONS

- Kubota Z602 Diesel engine (10,8 kW/14,5 hp) instead of petrol engine
- Li-Ion battery drive 48 V instead of petrol engine
- Custom paintwork, one colour, according to RAL scheme (except metallic coatings, signal- or special colors)
- Custom paintwork, two colours, according to RAL scheme (except metallic coatings, signal- or special colors)
- Indoor non marking rubber track, with less tread depth the profile enables smooth travelling.

ACCESSORIES

- Safety harness
- Outrigger pad (450 x 400 x 40 mm)
- Lockable storage frame for outrigger pads
- 4 outrigger/sliding pads (700 x 220 x 60 mm)
- Track mat (2000 x 800 x 15 mm)
- 2 protective track covers, made of high-quality polypropylene fabric
- Lifting device (200 kg load capacity)
This option can only be ordered in combination with the mounting for the lifting device.
- Mounting for lifting device
- 4 covers on piston rod (outrigger/stabiliser) cylinders
- 2 LED headlights 10-30 V on engine unit

TRAILERS

- Tandem Low Platform trailer (aluminium) including 4 tension belts (length 3,50 m)
Permissible total weight: 3000 kg
Tandem rubber-sprung axle: 3000 kg
Net weight: approx. 440 kg
Wheels 155/70/R12 ET20
Lighting fitting according to EU directives
- Tandem Low Platform trailer (steel) including 4 tension belts (length 5,30 m)
Permissible total weight: 3000 kg
Tandem rubber-sprung axle: 3000 kg
Net weight: approx. 476 kg
Wheels 185 R14 C8
Lighting fitting according to EU directives

CONTACT

Teupen Maschinenbau GmbH
Marie-Curie-Str. 13
48599 Gronau
Germany

phone +49 (0) 2562 8161-0
fax +49 (0) 2562 8161-888
mail@teupen.com

