

Specifications

LEO 21GT



PERFORMANCE

Working height, max.	21,00 m
Horizontal outreach with 250 kg	12,00 m
Up-and-over clearance, max.	9,40 m
Basket capacity	250 kg
Movable jib	-
Basket rotation	180°
Turret rotation	450°
To be jacked up on ground slope of	16,7°/30,0 %
Height and width track adjustment	19/46 cm
Gradeability, max.	16,7°/30,0 %
Slope angle	19,0°/34,0 %
Travel speed	4,0 km/h

MEASUREMENTS

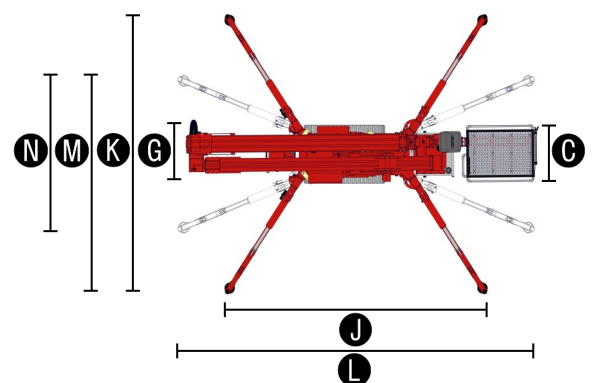
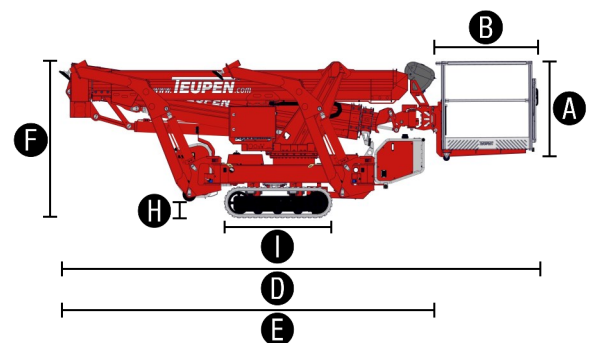
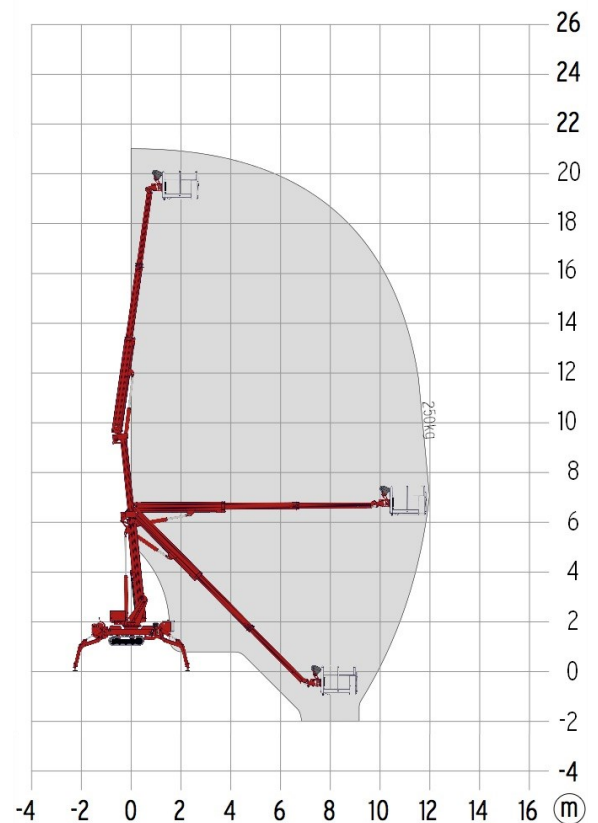
Platform height (A)	1,10 m
Platform length (B)	1,20 m
Platform width (C)	0,80 m
Length, overall (D)	6,40 m
Length without basket (E)	5,00 m
Height, travel position (F)	1,99 m
Width, minimal overall width (G)	0,98 m
Ground clearance, max. (H)	0,44 m
Track (L x W) (I)	1,45 m x 0,20 m
Length outrigger footprint standard (J)	4,70 m
Width outrigger footprint standard (K)	4,70 m
Length footprint one side narrow (L)	6,30 m
Width footprint one side narrow (M)	3,60 m
Width footprint both sides narrow (N)	2,50 m
Outrigger plate Ø	0,18 m

WEIGHT

Total weight	3000 kg
Live load in travelling position	4,64 kN/m ²
Live load in working position	1,57 kN/m ²
Point load per outrigger plate, max.	23,70 kN

POWER

Standard power sources (electric and combustion engine)	1) Electric: 230 V, 12,9 A, 2,2 kW 2) Petrol: Vanguard OHV 16 HP (11,93 kW/14,5 hp)
Optional power sources	1) Diesel: Kubota Z 602 (10,8 kW/14,5 hp) 2) Li-Ion Battery: 48 V
Fuel tank capacity petrol engine	11,5 l
Fuel tank capacity Diesel engine	11,5 l



STANDARDS COMPLIANCE

2006/42/EC-Machinery directive
 (Harmonised standard EN280:2013); 2004/108/EC (EMC);
 000/14/EC (Noise emission directive – outdoor)

Features

LEO 21GT



CHASSIS

- Powerful track drive with hydraulic braking system
- Precise maneuvering over sensitive electrohydraulic cable remote control
- Indoor non marking rubber track, with less tread depth the profile enables smooth travelling.
- Mechanically height- und width-adjustable track chassis

STABILISATION

- Fully-hydraulic, automatic levelling system with outrigger setup monitoring
- Variable outrigger system with one-side or both-sides narrow setup option
- Wear resistant, anti-friction PVC outrigger feet

BOOM SYSTEM

- Telescoping upper- and lower booms, special profiles made of high-strength steel
- All functions are available from one control panel
- Electric-proportional controls with intuitive operator guidance
- Robust, lockable control panel with integrated operation and display function
- Self-levelling platform with electro-hydraulic levelling system
- Corner-mounted, 180° turnable basket for extra flexibility
- Boom rotation via high-performance slew ring, worm gear and hydraulic motor

POWER

- 230 V electric motor (EU)
- Vanguard OHP 16 HP petrol engine (11,93 kW/16 hp)
- Start-Stop switch of combustion engine in the basket

PRODUCTIVITY, SAFETY, QUALITY

- 230 V (EU) power outlet in the basket
- Modular basket with eyelets for safety belts and tool tray
- High-quality paint in RAL 3020 (red)
- Hydraulic emergency lowering via hand pump
- Cables and hoses are safely routed through the boom structure
- Biodegradable hydraulic oil
- Lock valves - hydraulic return valves directly on all hydraulic cylinders
- Relief valves protecting the hydraulic system from too high pressures
- Protective covers for oil-tank, emergency controls and connecting cables and hoses
- Hour meter
- Complete second control box on the chassis and error analysis with display
- Fuzzy IV control technology

OPTIONS

- Kubota Z602 Diesel engine (10,8 kW/14,5 hp) instead of petrol engine
- Li-Ion battery drive 48 V instead of petrol engine
- Custom paintwork, one colour, according to RAL scheme (except metallic coatings, signal- or special colors)
- Custom paintwork, two colours, according to RAL scheme (except metallic coatings, signal- or special colors)
- Hydraulically height- und width-adjustable track chassis instead of the mechanically height- and width-adjustable track chassis
- Radio remote control
- White, non-marking rubber tracks with specially arranged profile providing optimum grip

ACCESSORIES

- Safety harness
- Outrigger pad (450 x 400 x 40 mm)
- Lockable storage frame for outrigger pads
- 4 outrigger/sliding pads (700 x 220 x 60 mm)
- Track mat (2000 x 800 x 15 mm)
- 2 protective track covers, made of high-quality polypropylene fabric
- Lifting device (300 kg load capacity)
This option can only be ordered in combination with the automatic boom function cut off.
- 4 covers on piston rod (outrigger/stabiliser) cylinders (additional weight: 10 kg)
- 2 LED headlights 10-30 V on engine unit
- Treecare package, consisting of:
 - Protective cover over control box
 - Covers on piston rod (outrigger/stabiliser) cylinders
- Coming Home Function
- Automatic boom function cut off by a monitoring system of the access stair locking system.
- Electric emergency lowering (additional weight: 16 kg)

TRAILER OR SUBFRAME

- Tandem Low Platform trailer (aluminium)
- Subframe for truck Mitsubishi Canter (Total weight 450 kg)

CONTACT

Teupen Maschinenbau GmbH

Marie-Curie-Str. 13
48599 Gronau
Germany

phone +49 (0) 2562 8161-0
fax +49 (0) 2562 8161-888
mail@teupen.com

